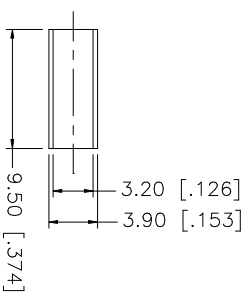
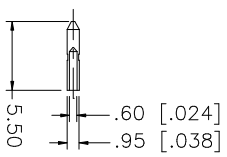
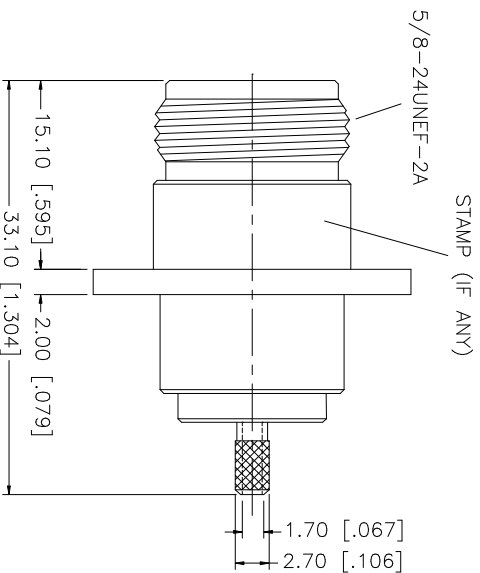
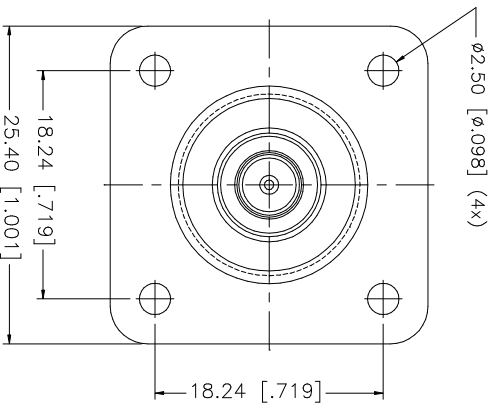
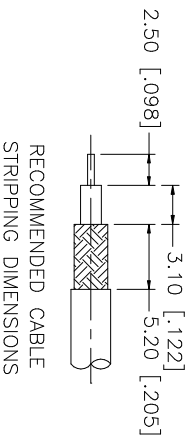


REV.	DATE	DESCRIPTION
A	01/30/04	UPDATE DRAWING FORMAT



- NOTE:
1. CRIMPED FERRULE
HEX CRIMP SIZE .128"
 2. CRIMPED CONTACT PIN
SQ. CRIMP SIZE 0.7(mm)

QTY	FINISH	MATERIAL	DESCRIPTION
1	NEXCOTE	COPPER	FERRULE
1	GOLD	PHOS. BRONZE	CONTACT PIN
1	NATURAL	TEFLON	INSULATOR
1	NEXCOTE	BRASS	BODY
			DESCRIPTION

UNLESS OTHERWISE SPECIFIED DIMENSIONS ARE IN INCHES AND FOR CUSTOMER REFERENCE ONLY.	UNLESS OTHERWISE SPECIFIED DIMENSIONS ARE IN MILLIMETERS ARE
0.5 - .8mm ± 0.20mm	8 - 30mm ± 0.40mm
30 - 120mm ± 0.50mm	

UNLESS OTHERWISE SPECIFIED DIMENSIONS ARE IN INCHES AND FOR CUSTOMER REFERENCE ONLY.	UNLESS OTHERWISE SPECIFIED DIMENSIONS FOR METRIC ARE
.020 - .315 = ± 0.007"	.315 - 1.180 = ± 0.015"
1.180 - 4.724 = ± 0.020"	

APPROVALS	DATE
DRAWN G.R.S.	01/30/04
CHECKED	
ISSUED	
SHEET 1 OF 1	

PART DESCRIPTION	PART NO.
N PANEL CRIMP JACK (FOR RG-174/U,188A/U,316/U)	172173

CAD FILE	DWG. NO.	REV.	SIZE	SCALE
C:/172/172173.DWG	172173.DWG	A	A	NA

Amphenol Connex